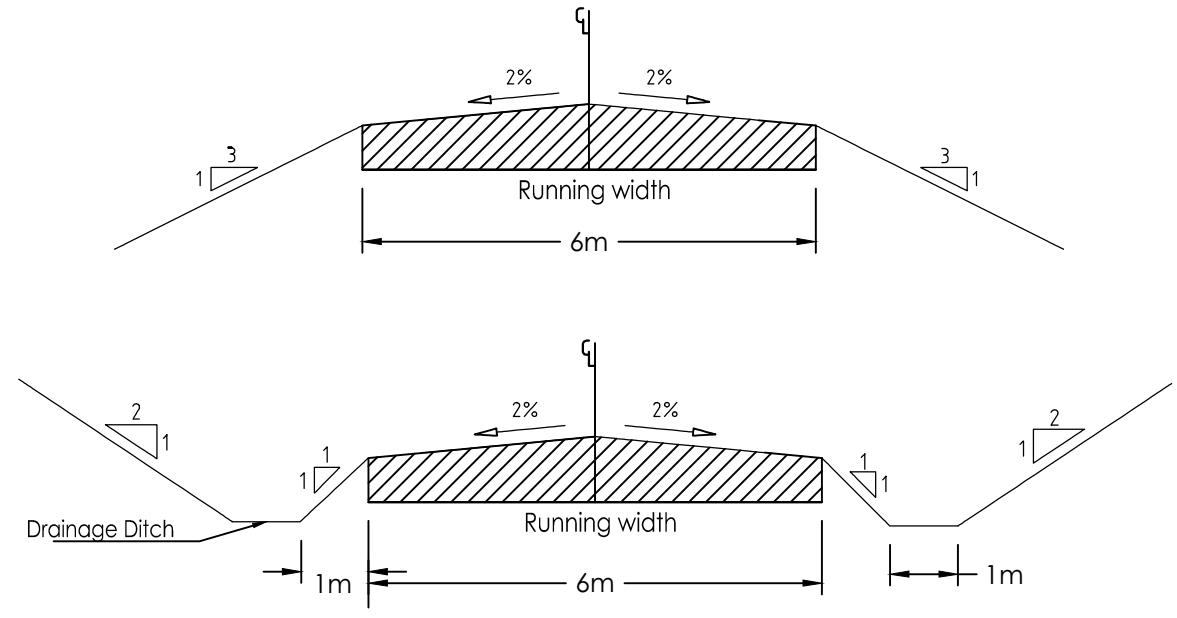


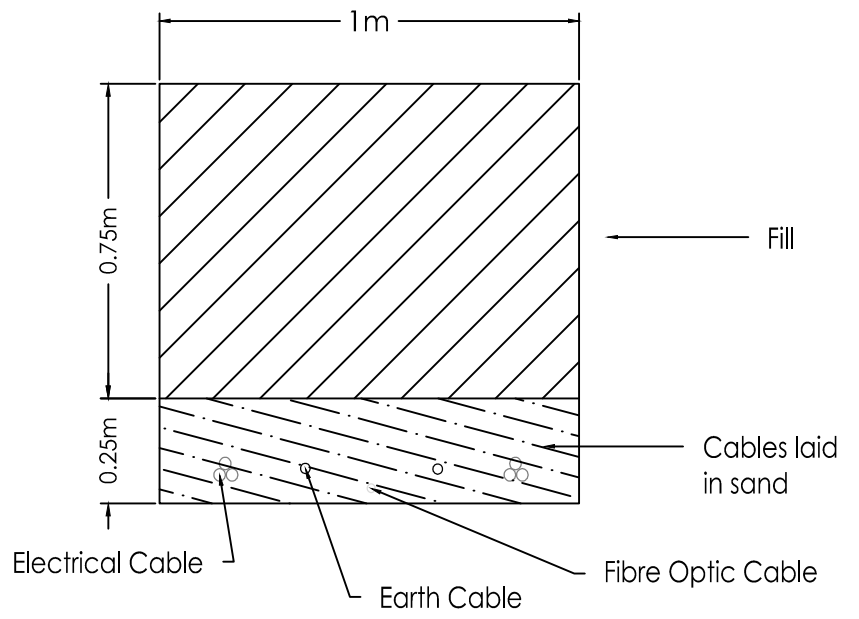
Figure 3-7
Indicative Tracks and Cable Trench

Typical Floating Track



Typical Cut Track

Typical Cable Trench



Not to scale